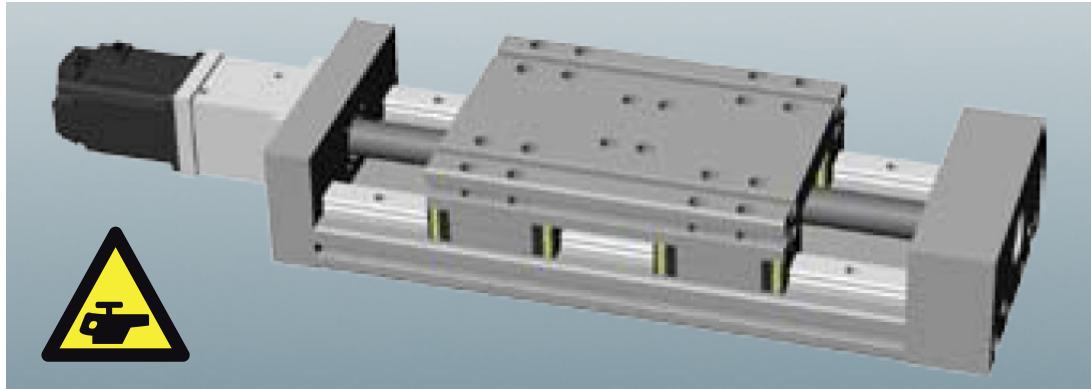
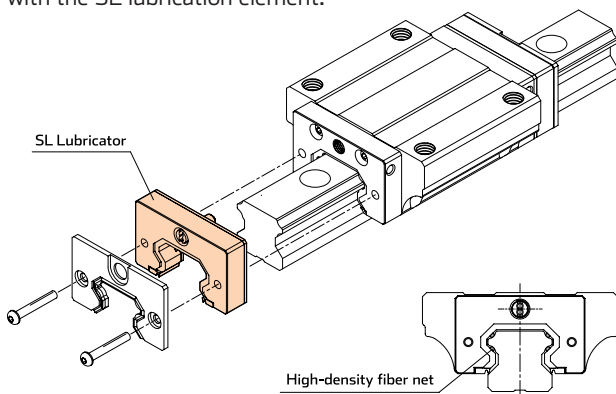


Lubrication instructions: Flexicarrier with ball screw drive



Maintenance

Maintenance for the ball-screw modules generally applies solely to the rail guide and the ball screw. These are lubricated separately, giving you optimum control and ensuring that the correct amount of grease enters the components. The rail guide carriage is fitted with the SL lubrication element.



The SL lubrication unit functions as a lubricant deposit and delivers long lubrication intervals. We recommend the following servicing- and lubrication advice.

Servicing

Servicing applies to the lubrication of the rail guide carriage and the ball nut. Lubricate every slider through the grease nipple. Lubricate the ball screw through one of the grease nipples in the short end of the table section. Use ball bearing grease as lubricant. The standard grease is lithium-based.

Keep in mind that it must not contain graphite or molybdenum disulphide.

Lubrication interval for rail guide

The table below shows the recommended lubrication interval for AluFlex® linear modules.

Temperature	10-40 °C	
Speed	up to 1 m/s	up to 3 m/s
Linearmodule	Load	Load
FKK32KGT	up to 100 kg	over 100 kg
FKK40KGT	up to 250 kg	over 250 kg
Lubrication interval every	20,000 km	10,000 km

Amount of lubricant for rail guide

The amount of lubricant in grams each time regreasing takes place.

Keep in mind not to over-lubricate. It can cause problems.

Size	Amount of lubrication per carriage	
	gram	cm ³
FKK32KGT	1.4	1.5
FKK40KGT	2.4	2.7

For lubrication interval and amount of lubricant for the ball screw, see next page ►►

Lubrication interval for ball screw

The table below shows the recommended lubrication interval for AluFlex® linear modules.

Temperature	10-40 °C	
Rotation speed	under 600 rpm	over 600 rpm
Linear module	Load	Load
FKK32KGT	up to 100 kg	over 100 kg
FKK40KGT	up to 250 kg	over 250 kg
Lubrication interval every	750 hours or every 6 months	500 hours or every 6 months


Amount of lubricant for ball screw

The amount of lubricant each time regreasing takes place.

Keep in mind not to over-lubricate. It can cause problems.

Size	Ball screw	Amount of lubrication / carriage	
	diameter x pitch	gram	cm ³
FKK32KGT	32 x 5	9	10
	32 x 10	9	10
	32 x 20	13	14.5
	32 x 32	13	14.5
FKK40KGT	40 x 10	14	15.6
	40 x 40	18	20

 **AluFlex AB**
Lilla Garnisonsgatan 34
254 67 Helsingborg
Tel +46 42 38 02 30
Fax +46 42 38 02 31
orders@aluflex.se
www.aluflex.se

 **LinearModul A/S**
Sivlandvænget 13 B
5260 Odense S
Tel +45 65 91 72 10
Fax +45 65 91 72 20
orders@linearmodul.dk
www.linearmodul.dk

 **AluFlex System AS**
Energivegen 14
Postboks 428
2051 Jessheim
Tlf +47 63 94 49 20
Faks +47 63 94 49 21
orders@aluflex.no
www.aluflex.no

 **item profiili oy**
Mikkälänkallio 5
02771 Espoo
Puh +358 9 854 56 50
Fax +358 9 854 56 544
orders@itemprofiili.fi
www.itemprofiili.fi